



Oras Saga

Installation and maintenance guide



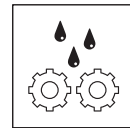
4-8



9-11



11



12-18

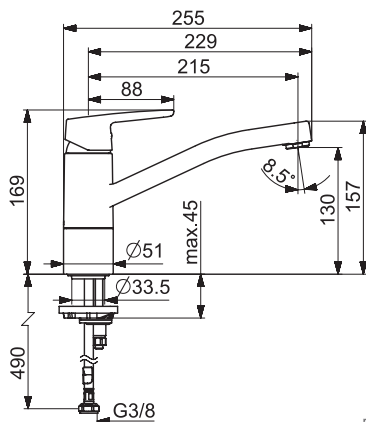
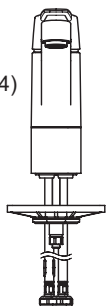


19



3930F , 3930F-104 , 3930F-106

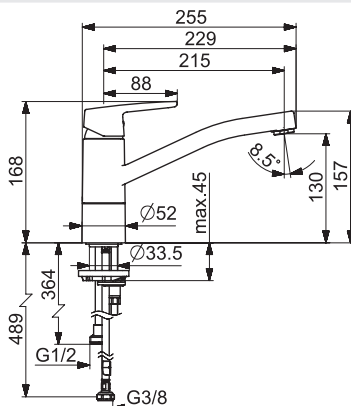
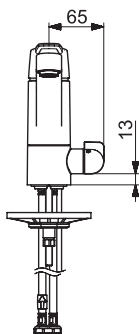
I (ISO 3822)
 EN 817
 50 - 1000 kPa
 0.16 l/s (300 kPa)
 0.056 l/s (300 kPa w/Controller) (-104)
 0.1 l/s (300 kPa w/Controller) (-106)
 300 kPa (0.2 l/s)
 max. +70°C



mpi.oras.com/3930F

3935F

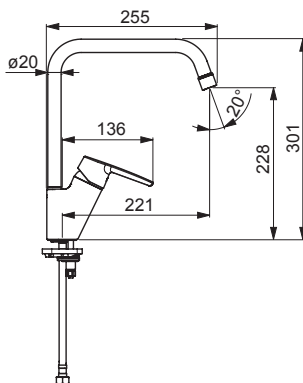
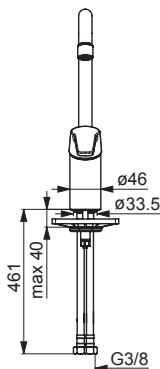
I (ISO 3822)
 EN 817
 50 - 1000 kPa
 0.16 l/s (300 kPa)
 300 kPa (0.2 l/s)
 max. +70°C



mpi.oras.com/3935F

3933F

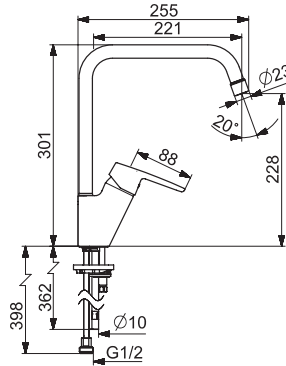
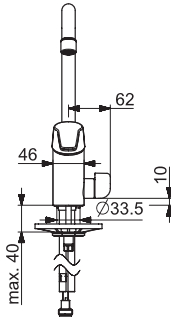
I (ISO 3822)
 EN 817
 50 - 1000 kPa
 0.17 l/s (300 kPa)
 300 kPa (0.2 l/s)
 max. +70°C



mpi.oras.com/3933F

3934

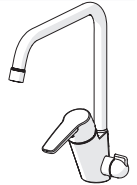
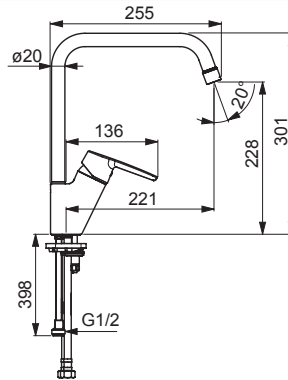
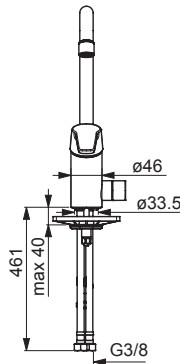
I (ISO 3822)
 EN 817
 50 - 1000 kPa
 0.22 l/s (300 kPa)
 300 kPa (0.2 l/s)
 max. +80°C



mpi.oras.com/3934

3934F

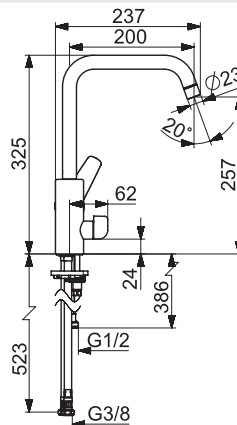
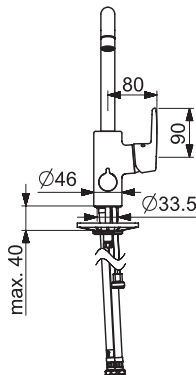
I (ISO 3822)
 EN 817
 50 - 1000 kPa
 0.18 l/s (300 kPa)
 300 kPa (0.2 l/s)
 max. +70°C



mpi.oras.com/3934F

3936F

I (ISO 3822)
 EN 817
 50 - 1000 kPa
 0.16 l/s (300 kPa)
 300 kPa (0.2 l/s)
 max. +70°C

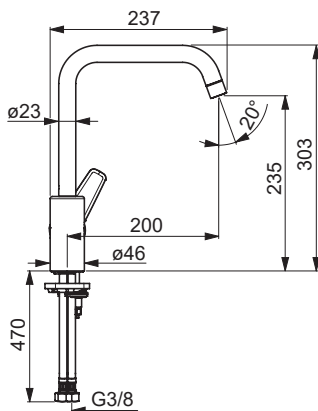
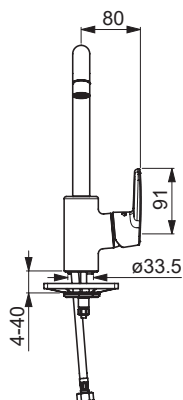


mpi.oras.com/3936F



3931F

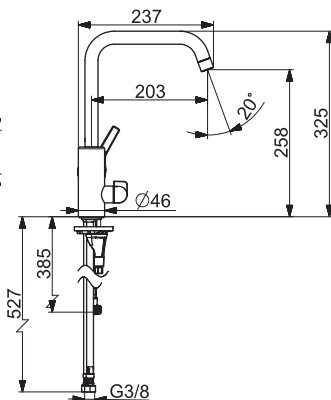
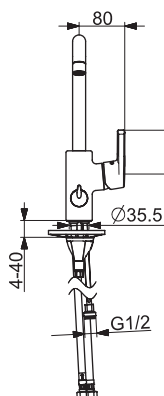
I (ISO 3822)
EN 817
50 - 1000 kPa
0.16 l/s (300 kPa)
300 kPa (0.2 l/s)
max. +70°C



mpi.oras.com/3931F

3936FH

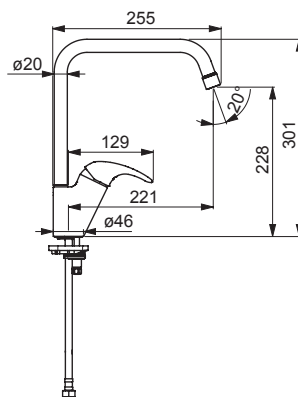
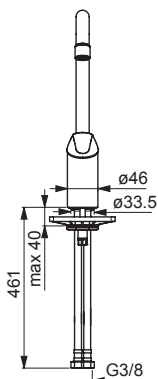
I (ISO3822)
EN 817
50 - 1000 kPa
0.16 l/s (300 kPa)
max. +70°C



mpi.oras.com/3936FH

1438F

I (ISO 38229 Oras lab.)
EN 817
100 - 1000 kPa
0.2 l/s (300 kPa)
max. +70°C

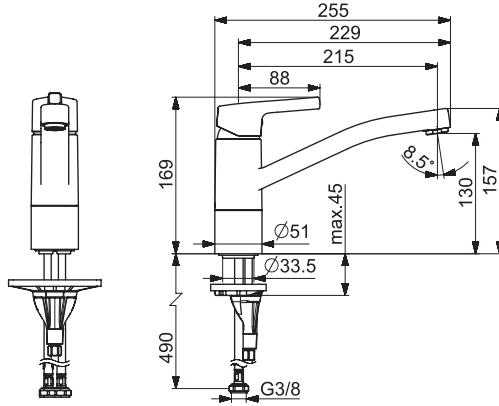


mpi.oras.com/1438F



3930FH

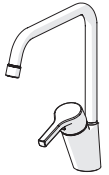
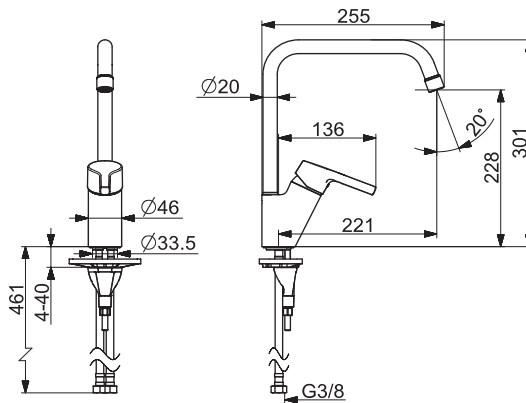
I(ISO3822)
EN 817
50 - 1000 kPa
0.16 l/s (300 kPa)
max. +80°C



mpi.oras.com/3930FH

3933FH

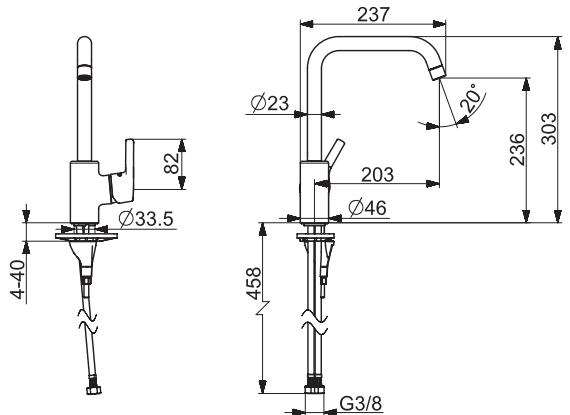
I(ISO3822)
EN 817
50 - 1000 kPa
0.17 l/s (300 kPa)
max. +70°C



mpi.oras.com/3933FH

3931FH

I(ISO3822)
EN 817
50 - 1000 kPa
0.16 l/s (300 kPa)
max. +70°C

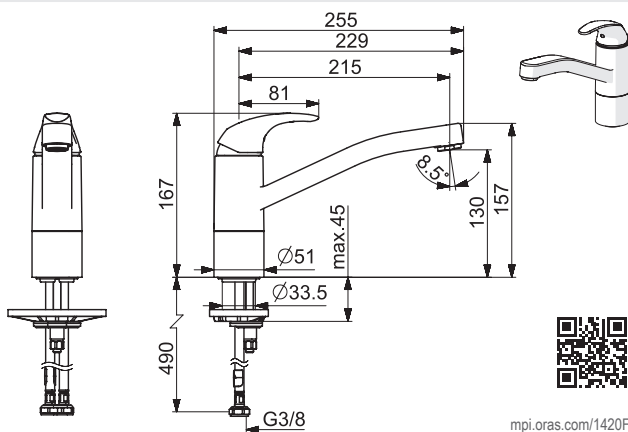


mpi.oras.com/3931FH



1420F

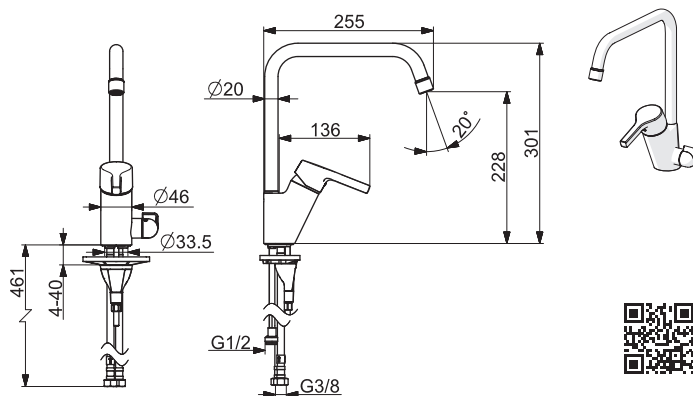
I (ISO 3822)
EN 817
50 - 1000 kPa
0.20 l/s (300 kPa)
max. +70°C



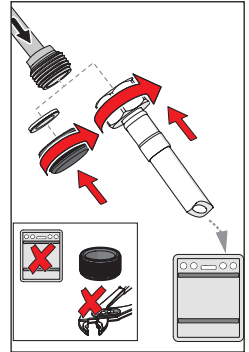
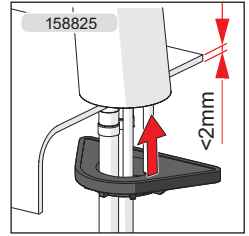
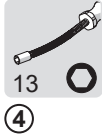
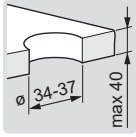
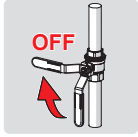
mpi.oras.com/1420F

3934FH

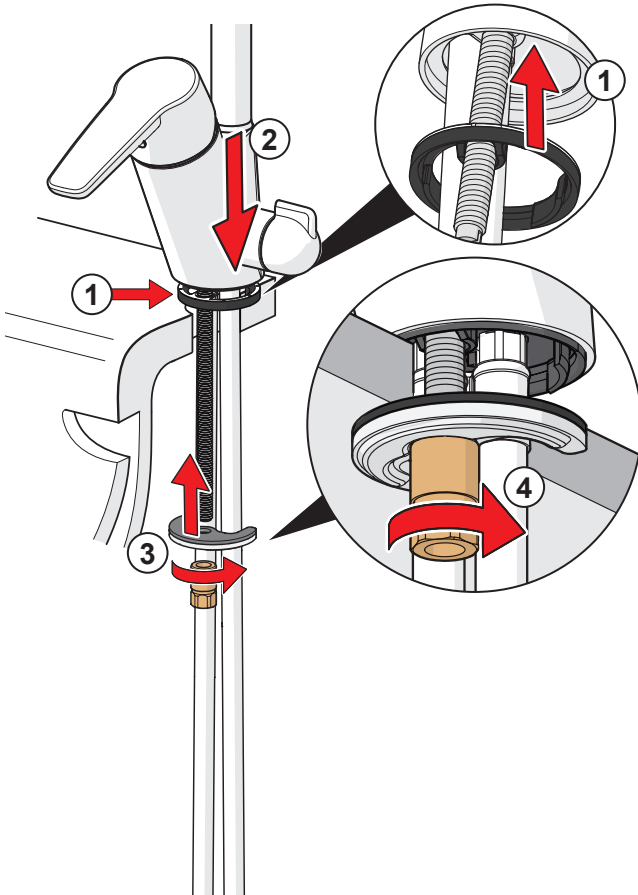
I(ISO3822)
EN 817
50 - 1000 kPa
0.19 l/s (300 kPa)
max. +70°C

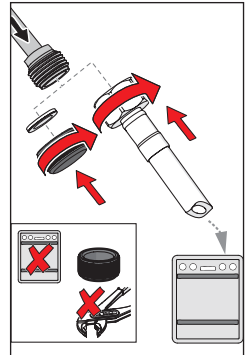
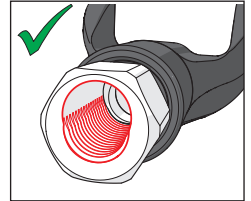
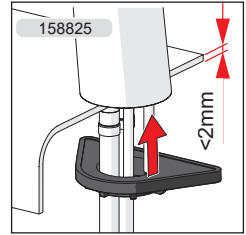
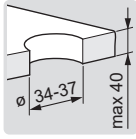
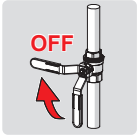


mpi.oras.com/3934FH

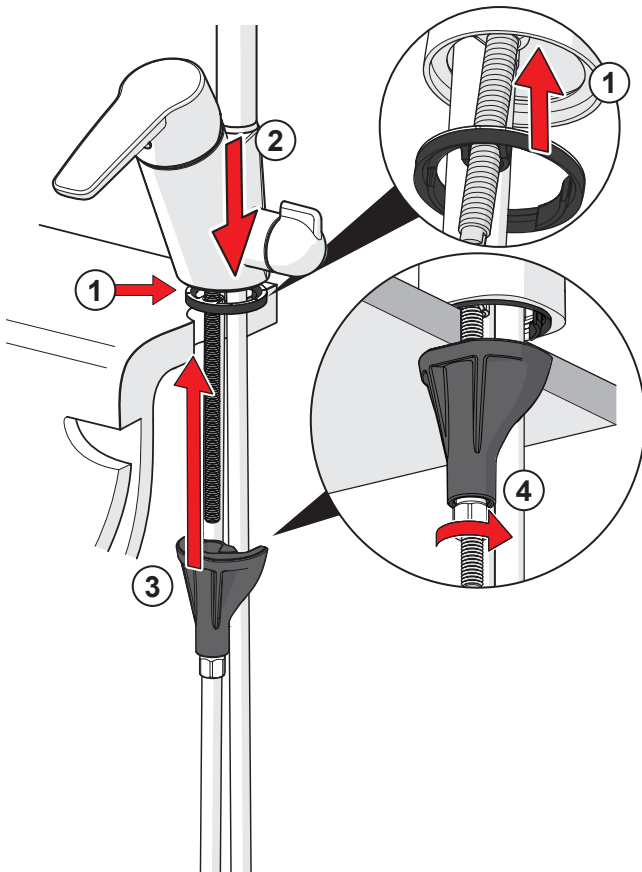


A





B

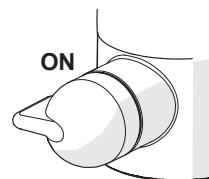
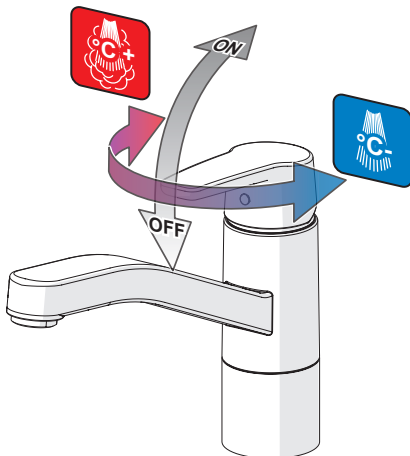
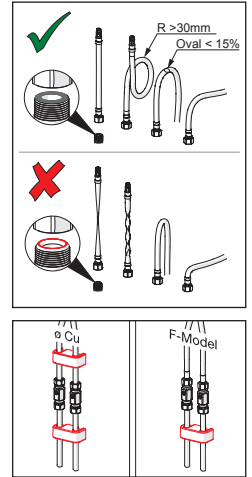
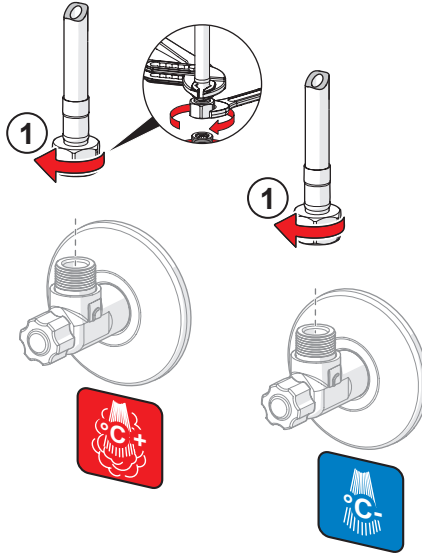


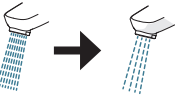


①

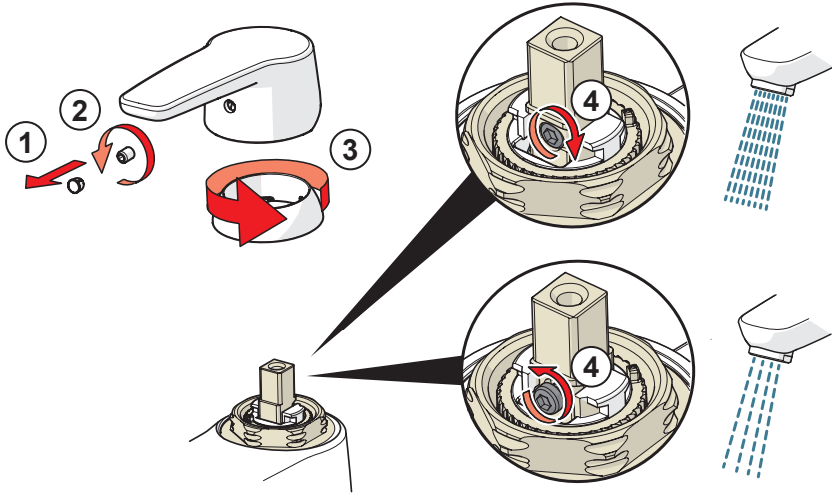
max.
1600 kPa

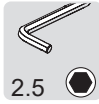
②





②





2.5

②



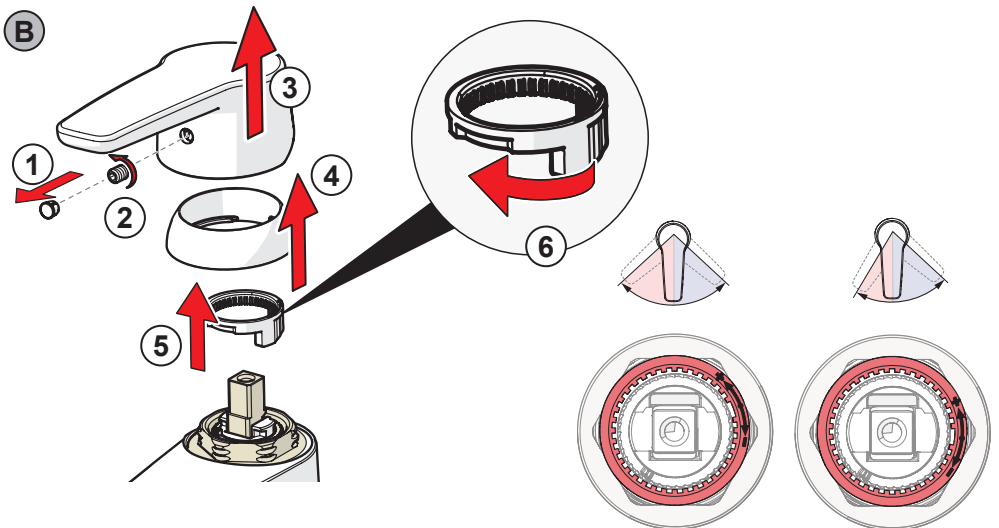
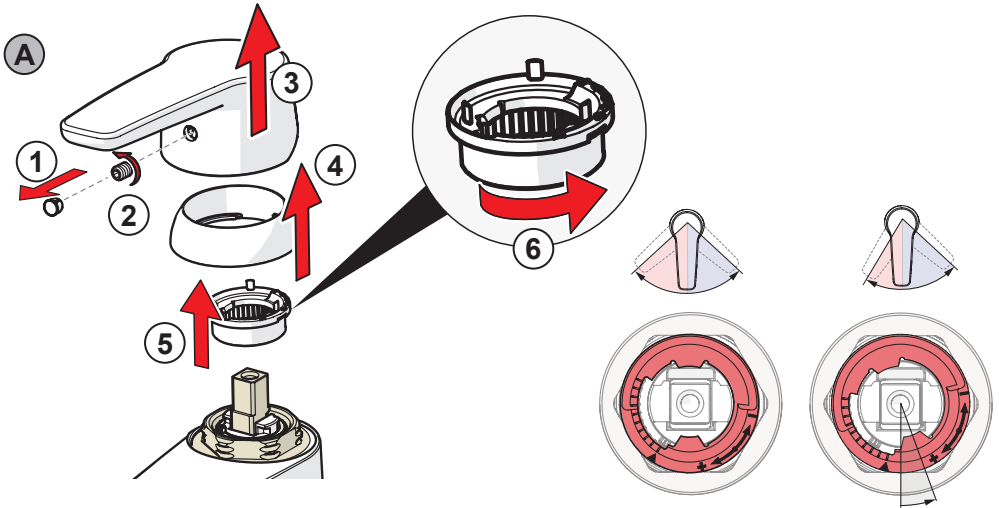
A

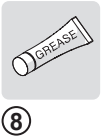
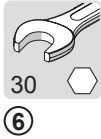
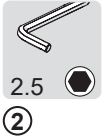
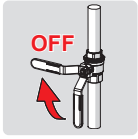


A



B

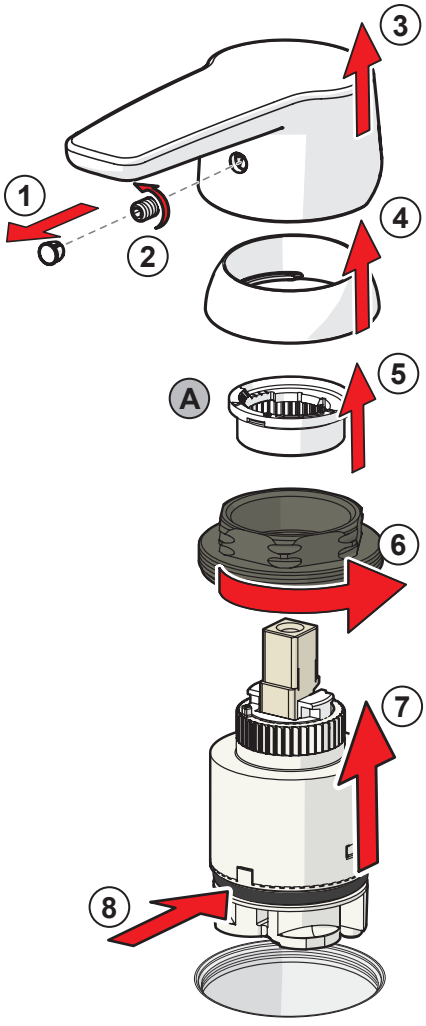




A

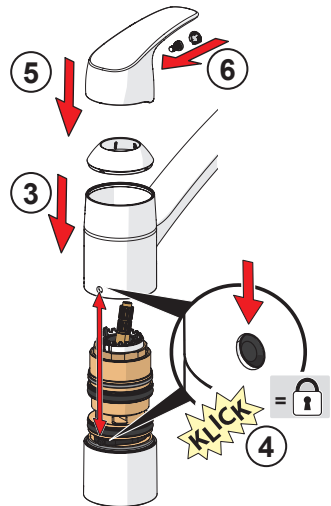
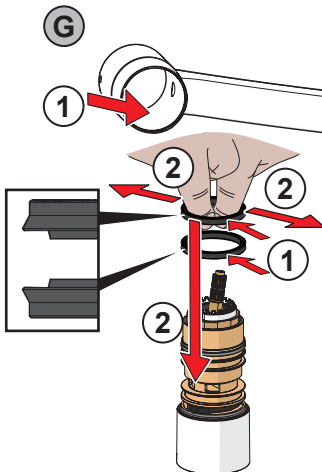
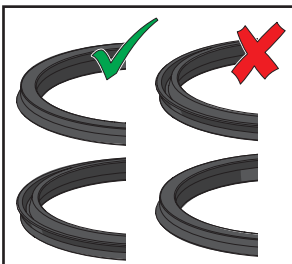
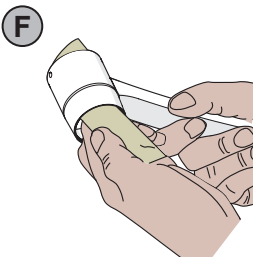
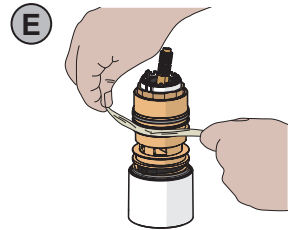
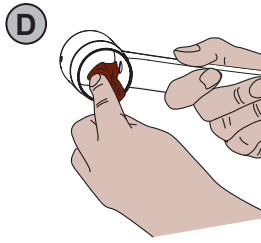
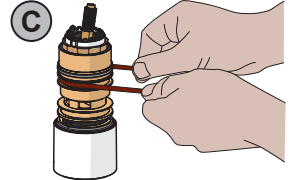
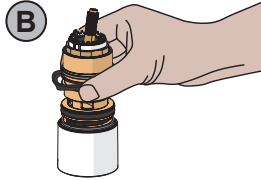
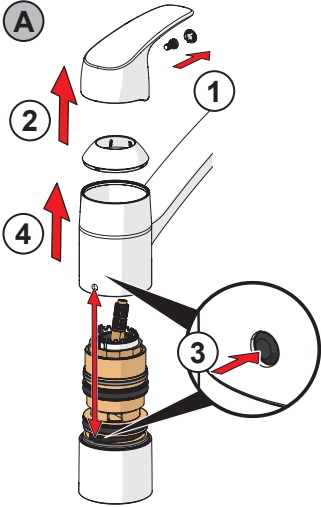
A

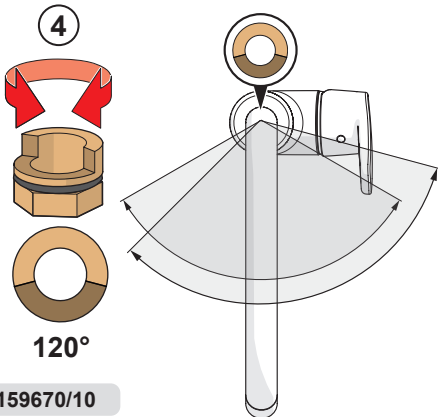
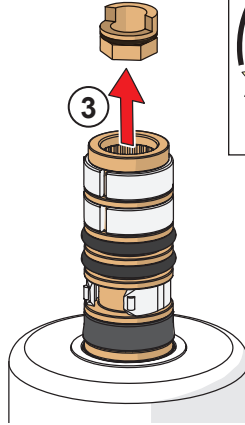
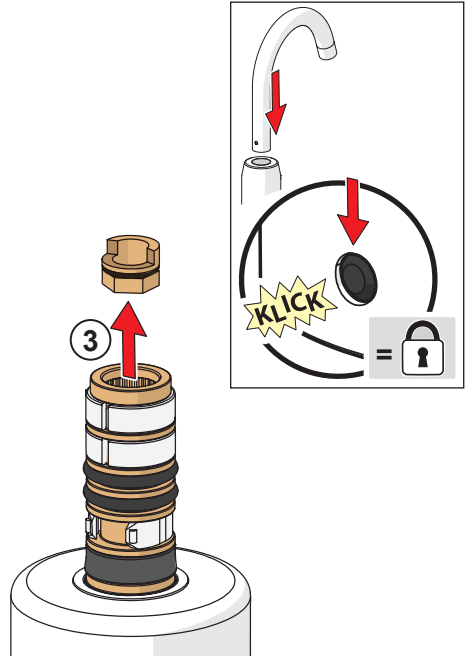
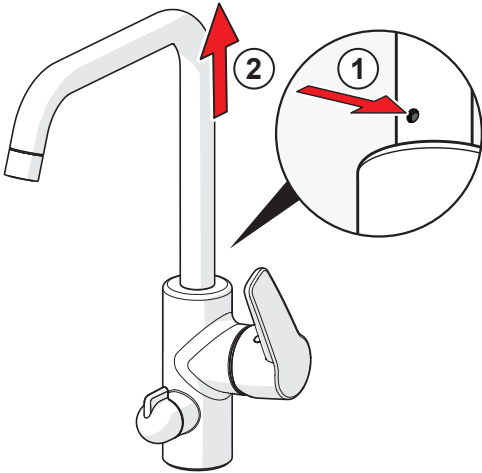
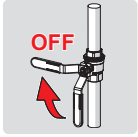
B



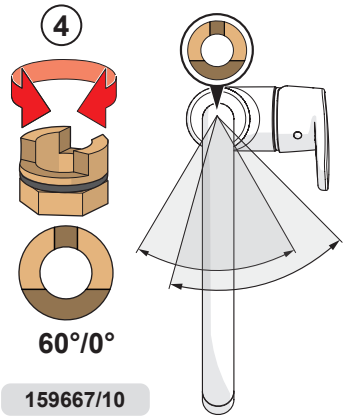
A

B

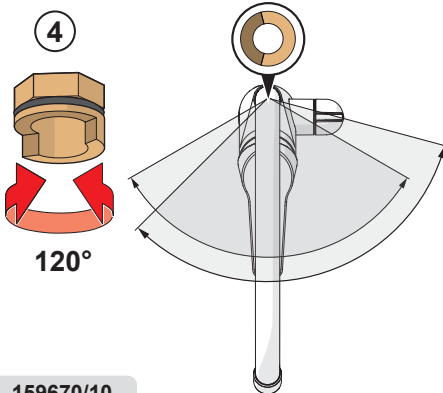
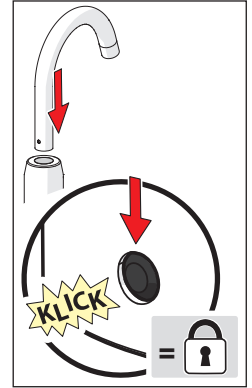
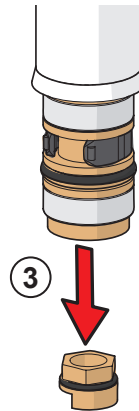
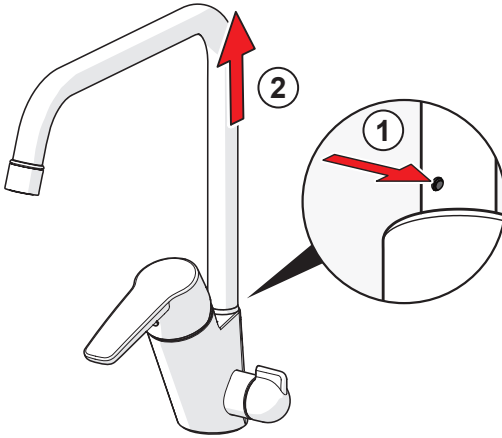
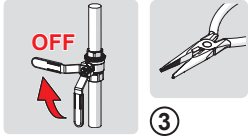




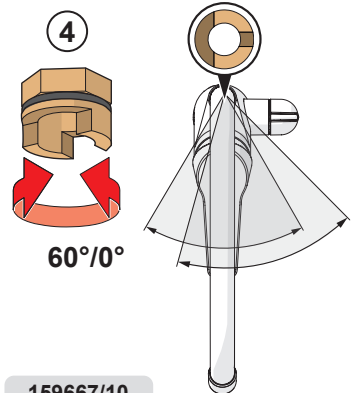
159670/10



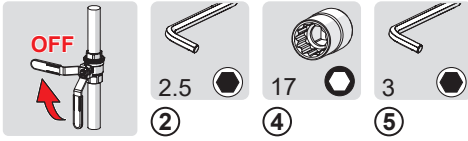
159667/10



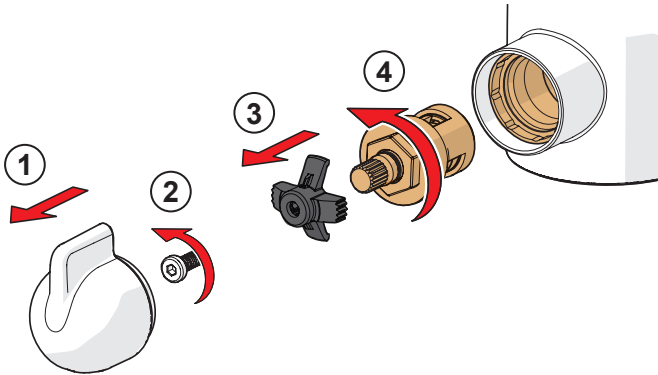
159670/10



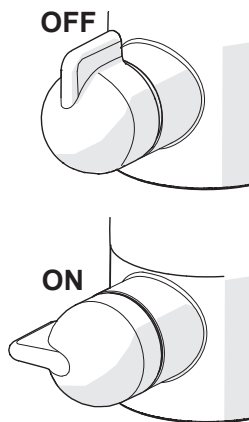
159667/10

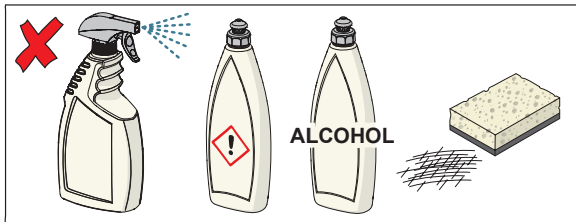
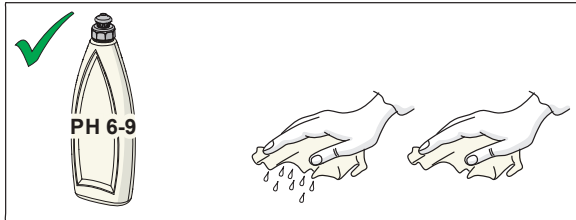
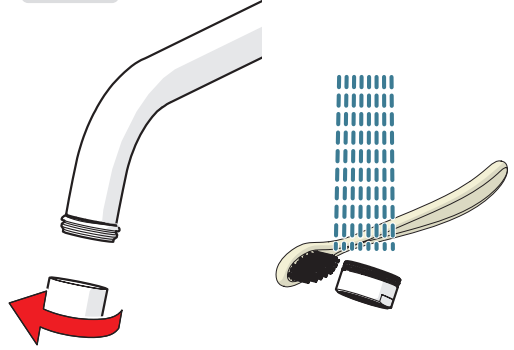
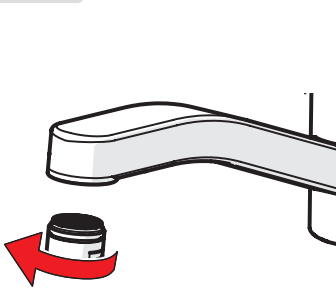


1



2





CLEANING.ORAS.COM

Oras Group is a powerful European provider of sanitary fittings: the market leader in the Nordics and a leading company in Continental Europe. The company's mission is to make the use of water easy and sustainable and its vision is to become the European leader of advanced sanitary fittings. Oras Group has two strong brands: Oras and Hansa.

The Group's head office is located in Rauma, Finland, and the Group has three manufacturing sites: Kralovice (Czech Republic), Olesno (Poland) and Rauma (Finland). Oras Group employs approximately 1,200 people in twenty countries. Oras Group is owned by Oras Invest, a family company and an industrial owner.

ORAS Ltd
Isometsäntie 2, P.O. Box 40
FI-26101 Rauma
Tel. +358 2 83 161
Fax +358 2 831 6300
info.finland@oras.com
www.oras.com



943376-01-22